

SAFETEC C(R) 160 (4+0)

Class II Multi-pole Surge Protective Device

$I_{max} = 40kA$ per pole (8/20)

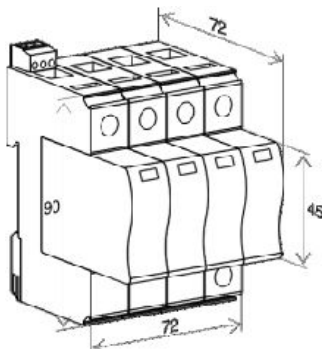


- ◆ Category IEC / EN / VDE: Class II / Type 2 / C
- ◆ Location of use: Branch sub-distribution boards
- ◆ Connections: TN-S, IT
- ◆ Protection modes: L/N - PE
- ◆ Protective element: MOV
- ◆ High surge discharge rating: $I_{max} = 40kA$ per pole
- ◆ Safety: Immunity against TOV
- ◆ Housing: Modular design
- ◆ Complies with: IEC-61643-1

Technical data

Type	SAFETEC C(R) 160/xxx (4+0)		
	150	275	440
Electrical characteristics			
Max. continuous operating voltage (AC/DC) U_c	150/200V	275/350V	440/580V
Nominal discharge current (8/20) I_n	20kA per pole	20kA per pole	20kA per pole
Max. discharge current (8/20) I_{max}	40kA per pole	40kA per pole	40kA per pole
Protection level U_p	< 1.0kV	< 1.6kV	< 2.2kV
Follow current I_f		NO	
Response time t_A		< 25ns	
Thermal protection		YES	
TOV withstand for 5 sec.		$1.32 \times U_{REF}$ (335V)	
		$\sqrt{3} \times U_{REF}$ (400V)	
Short-circuit withstand current		25kA/50Hz	
Mechanical characteristics			
Terminal screw torque		max. 3.5Nm	
Temperature range		- 40°C + 80°C	
Terminal cross section		35mm ² (solid) / 25mm ² (stranded)	
Mounting EN 60715		35mm top-hat rail	
Degree of protection		IP 20	
Housing material		thermoplastic; extinguishing degree UL 94 V-0	
Dimensions DIN 43880		4TE	
Weight per unit			
Ordering code SAFETEC C 160/xxx (4+0)	516 025	516 027	516 029
Remote contacts		YES	
Contact ratings		AC: 250V/0.5A; 125V/3A	
Terminal cross section		max. 1.5mm ²	
Remote terminal torque		0.25Nm	
Weight per unit			
Ordering code SAFETEC C(R) 160/xxx (4+0) (with remote contacts)	516 026	516 028	516 030
Packaging dimensions (single unit)		109 x 76.5 x 78mm	
Ordering code Module SAFETEC C(R) 40/xxx	516 037	516 038	516 039
Packaging dimensions (12 pcs.)		219 x 62 x 47mm	

Dimensions



Connection diagram

