

# SAFETEC C(R) 40 PV

## Class II Multi-pole Surge Protective Device for PV System $I_{max} = 40kA (8/20)$

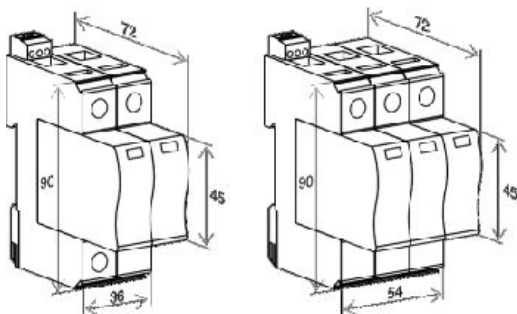


- ◆ Category IEC/EN/VDE: Class II/Type 2/C
- ◆ Location of use: Branch sub-distribution boards
- ◆ Protection modes: ((+)+(-) - PE, (+) - PE/(-) - PE
- ◆ Protective element: MOV
- ◆ High surge discharge rating:  $I_{max} = 40kA$
- ◆ Housing: Modular design
- ◆ Complies with: IEC-61643-1, UTEC 61-740-51

### Technical data

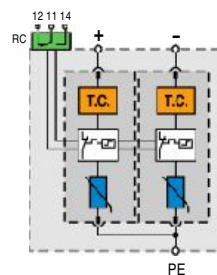
Type	SAFETEC C(R) 40/xxxx PV					
	75	300	600	1000	1200	
<b>Electrical characteristics</b>						
Max. continuous operating voltage (DC)	$U_c$	75V	300V	600V	1000V	1200V
Nominal discharge current (8/20)	$I_n (+) - PE/(-) - PE$	20kA	20kA	20kA	12.5kA	20kA
	$I_n ((+)+(-) - PE)$	40kA	40kA	40kA	25kA	20kA
Max. discharge current (8/20)	$I_{max} (+) - PE/(-) - PE$	40kA	40kA	40kA	25kA	40kA
	$I_{max} ((+)+(-) - PE)$	80kA	80kA	80kA	50kA	40kA
Protection level	$U_p$	< 0.6kV	< 1.6kV	< 2.2kV	< 2.8kV	< 4.4kV
Follow current	$I_f$			NO		
Response time	$t_A$			< 25ns		
Thermal protection				YES		
<b>Mechanical characteristics</b>						
Terminal screw torque						max. 3.5Nm
Temperature range						- 40°C .... + 80°C
Terminal cross section						35mm <sup>2</sup> (solid) / 25mm <sup>2</sup> (stranded)
Mounting EN 60715						35mm top-hat rail
Degree of protection						IP 20
Housing material						thermoplastic; extinguishing degree UL 94 V-0
Dimensions DIN 43880	2TE	2TE	2TE	2TE	3TE	
Weight per unit						
Ordering code SAFETEC C 40/xxxx PV	516 040	516 042	516 044	516 046	516 048	
Remote contacts						YES
Contact ratings						AC: 250V/0.5A; 125V/3A
Terminal cross section						max. 1.5mm <sup>2</sup>
Remote terminal torque						0.25Nm
Weight per unit						
Ordering code SAFETEC C(R) 40/xxxx PV (with remote contacts)	516 041	516 043	516 045	516 047	516 049	
Packaging dimensions (single unit)						109 x 76,5 x 41.5mm / 109 x 76,5 x 60mm
Ordering code Module SAFETEC C(R) 40/xxxx PV	516 050	516 051	516 052	516 053	516 054	
Packaging dimensions (12 pcs.)						219 x 62 x 47mm

### Dimensions



### Connection diagram

SAFETEC CR 40/75 - 1000 PV



SAFETEC CR 40/1200 PV

