

# Pluggable Multi-pole SPD

## ProTec DMG(R) 20 (2+0)

### Class III • Type 3



Location of Use: Sub-distribution Boards  
 Network Systems: TN-S  
 Mode of Protection: L-PE, N-PE  
 IEC/EN Category: Class III/Type 3  
 Housing: Modular Design  
 Compliance: IEC 61643-11:2011  
 EN 61643-11:2012

## Technical Data

ProTec DMG(R) 20/xxx (2+0)

320

### IEC Electrical

Nominal AC Voltage (50/60 Hz)	$U_o$	230V
Maximum Continuous Operating Voltage (AC)	$U_c$	320V
Open Circuit Voltage of the Combination Wave Generator (1.2/50 $\mu$ s)	$U_{oc}$	10kV
Short Circuit Current of Combination Wave Generator (8/20 $\mu$ s)	$I_{cw}$	5 kA
Maximum Discharge Current (8/20 $\mu$ s)	$I_{max}$	10 kA
Voltage Protection Level	$U_p$	< 1.6kV
Response Time	$t_A$	< 100 ns
Overcurrent Protection (max)		63A gG
Short-Circuit Current Rating (AC)	$I_{SCCR}$	10 kA
TOV Withstand 5s	$U_T$	337V
Number of Ports		1

### Mechanical & Environmental

Temperature Range	$T_a$	-40 °F to +185 °F [-40 °C to +85 °C]
Permissible Humidity	RH	5%...95%
Terminal Screw Torque	(L, N) $M_{max}$	4.4 lbf-in [0.5Nm]
Terminal Screw Torque	(PE) $M_{max}$	26.5 lbf-in [3.0Nm]
Conductor Cross Section	(L, N)	10 AWG (Solid, Stranded) / 12 AWG (Flexible) 6 mm <sup>2</sup> (Solid, Stranded) / 4 mm <sup>2</sup> (Flexible)
Conductor Cross Section	(PE)	2 AWG (Solid, Stranded) / 4 AWG (Flexible) 35 mm <sup>2</sup> (Solid, Stranded) / 25 mm <sup>2</sup> (Flexible)
Mounting		35 mm DIN Rail, EN 60715
Degree of Protection		IP 20 (built-in)
Housing Material		Thermoplastic: Extinguishing Degree UL 94 V-0
Thermal Protection		Yes
Fault Indication		Red Flag
Remote Contacts (RC)		Optional
RC Switching Capacity		AC: 250V/0.5A; 125V/3A
RC Terminal Cross Section (max)		1.5mm <sup>2</sup> (Solid) / 16 AWG (Solid)
RC Terminal Screw Torque		2.2 lbf-in [0.25Nm]

### Order Information

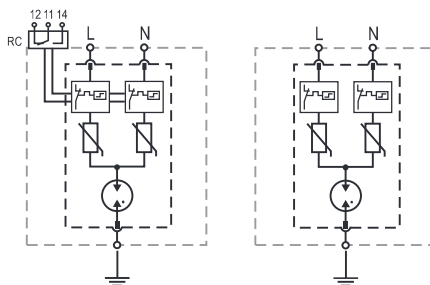
Order Code	320
ProTec DMG 20/xxx (2+0)	508.369
ProTec DMGR 20/xxx (2+0) (with remote contacts)	508.370
Plug ProTec DMG(R) 20/xxx	508.371

## ProTec DMG(R) 20 (2+0)

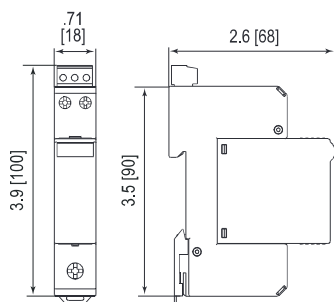
### Internal Configuration

#### Legend

- L Line Conductor Terminal
- N Neutral Conductor Terminal
- ⏚ PE/G Conductor Terminal
- RC Remote Contacts Terminal (Optional)



### Complete Unit

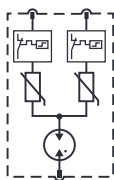


#### Complete Unit Dimensions & Packaging

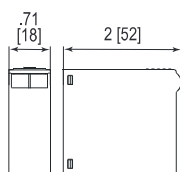
ProTec DMG 20/xxx (2+0)		320
Weight	pounds [grams]	0.260 [118]
ProTec DMGR 20/xxx (2+0)		
Weight	pounds [grams]	0.271 [123]
Single Unit DIN 43880 Dimension		1 TE / .71" [18]
Packaging Dimensions (H x W x L)		3.1 x 4.4 x 11.7" [79 x 112 x 298mm]
Standard Order Quantity		12 Units

### Plug Internal Configuration

#### Plug ProTec DMG(R) 20/xxx



### Spare Plug



#### Single Unit Dimensions & Packaging

Plug ProTec DMG(R) 20/xxx		320
Weight	pounds [grams]	0.112 [51]
DIN 43880 Dimension		1 TE / .71" [18]
Packaging Dimensions (H x W x L)		3.8 x 3 x 4.3" [98 x 77 x 110mm]
Standard Order Quantity		12 Units

inches  
[mm]