

Compact Multi-pole SPD
SafeBloc B(R) 75 (3+0) TCG
 Class I • Class II • Type 1 • Type 2

25 kA Series



Location of Use: Main Distribution Boards
 Network Systems: TN-C
 Mode of Protection: L - PEN
 Surge Ratings: $I_{imp} = 25 \text{ kA (10/350}\mu\text{s)}$
 $I_n = 25 \text{ kA (8/20}\mu\text{s)}$
 IEC/EN Category: Class I, II / Type 1, 2
 Protective Elements: High Energy MOV and GDT
 Safety: High TOV Immunity
 Leakage Current: No Leakage Current
 Housing: Compact Design
 Compliance: IEC 61643-11:2011
 EN 61643-11:2012

Technical Data

SafeBloc B(R) 75/xxx (3+0) TCG

150

275

Electrical

Nominal AC Voltage (50/60 Hz)	U_o	120V	230V
Maximum Continuous Operating Voltage (AC)	U_c	150V	275V
Nominal Discharge Current (8/20 μs)	I_n		25 kA
Maximum Discharge Current (8/20 μs)	I_{max}		100 kA
Impulse Discharge Current (10/350 μs)	I_{imp}		25 kA
Total Discharge Current (10/350 μs)	I_{total}		75 kA
Specific Energy	W/R		156 kJ/ Ω
Charge	Q		12.5 As
Voltage Protection Level	U_p	< 1.2 kV	< 1.5 kV
Response Time	t_A		< 25 ns
Back-Up Fuse (if mains > 250 A)			250 A gG
Short-Circuit Current Rating (AC)	I_{SCCR}		50 kA
TOV withstand 5s	U_T	228V	438V
Number of Ports			1

Mechanical & Environmental

Temperature Range	T_a	-40 °C to +85 °C	
Permissible Humidity	RH	5%...95%	
Terminal Screw Torque	M_{max}	3.0 Nm	
Conductor Cross Section (max)		35 mm ² (solid) / 25 mm ² (stranded)	
Mounting		35 mm DIN Rail, EN 60715	
Degree of Protection		IP 20	
Housing Material		Thermoplastic: Extinguishing Degree UL 94 V-0	
Thermal Protection		Yes	
Fault Indication		Red Flag	
Remote Contacts (RC)		Optional	
RC Switching Capacity		AC: 250V/0.5A; 125V/3A	
RC Terminal Cross Section (max)		1.5 mm ²	
RC Terminal Screw Torque	M_{max}	0.25 Nm	

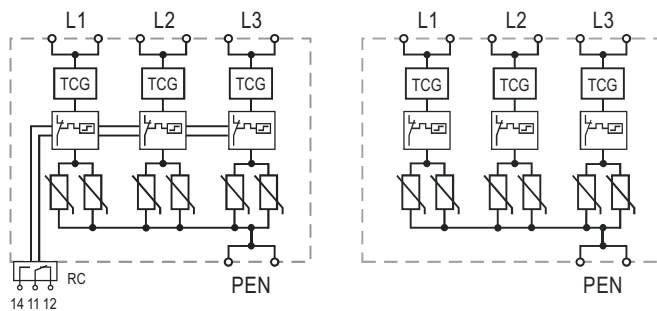
Order Information

Order Code		150	275
SAFELOC B 75/xxx (3+0) TCG		54.0550	54.0552
SAFELOC BR 75/xxx (3+0) TCG (with remote contacts)		54.0551	54.0553

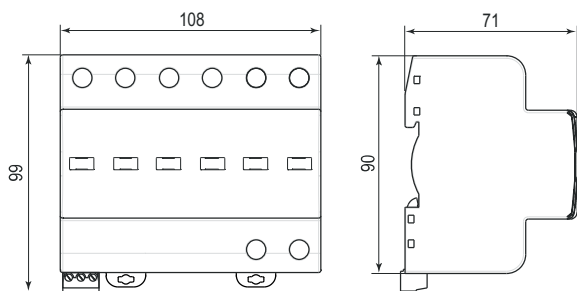
Internal Configuration

Legend

- L Line
- PEN Combined Protective Earth and Neutral
- RC Remote Contacts Optional
- TCG Thermal Control Function with No Leakage



Dimensions & Packaging [mm]



Dimensions & Packaging

SafeBloc B 75/xxx (3+0) TCG	150	275
Single Unit Weight	780g	930g
Single Unit DIN 43880 Dimension	6 TE	
Packaging Dimensions (H x W x L)	109 x 77 x 114mm	
Minimum Order Quantity	2 Units	

SafeBloc BR 75/xxx (3+0) TCG	150	275
Single Unit Weight	790g	940g
Single Unit DIN 43880 Dimension	6 TE	
Packaging Dimensions (H x W x L)	109 x 77 x 114mm	
Minimum Order Quantity	2 Units	

Applicable connection configurations can be found on page 54.

