

# Modular Single Pole SPD

## ProTec C(R) 40 (1+0)

### Class II • Type 2



Location of Use: Sub-distribution Boards  
 Network Systems: TN-S, TN-C, TT (only L-N)  
 Mode of Protection: L-PE, N-PE, L-PEN, L-N  
 Surge Ratings:  $I_n = 20\text{ kA (8/20}\mu\text{s)}$   
 $I_{max} = 40\text{ kA (8/20}\mu\text{s)}$   
 IEC/EN Category: Class II / Type 2  
 Protective Elements: High Energy MOV  
 Housing: Modular Design  
 Compliance: IEC 61643-11:2011  
 EN 61643-11:2012

## Technical Data

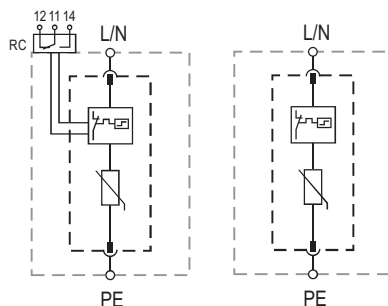
ProTec C(R) 40/xxx (1+0)		75	150	275	320	385	440
<b>Electrical</b>							
Nominal AC Voltage (50/60 Hz)	$U_o$	60V	120V	230V	230V	230V	230V
Maximum Continuous Operating Voltage (AC)	$U_c$	75V	150V	275V	320V	385V	440V
Nominal Discharge Current (8/20 $\mu\text{s}$ )	$I_n$	20 kA					
Maximum Discharge Current (8/20 $\mu\text{s}$ )	$I_{max}$	40 kA					
Voltage Protection Level	$U_p$	< 0.7 kV	< 1.0 kV	< 1.5 kV	< 1.5 kV	< 1.9 kV	< 2.0 kV
Response Time	$t_A$	< 25 ns					
Back-Up Fuse (if mains > 125 A)		125 A gG					
Short-Circuit Current Rating (AC)	$I_{SCCR}$	25 kA					
TOV Withstand 5s	$U_T$	87V	174V	335V	335V	438V	438V
Number of Ports		1					
<b>Mechanical &amp; Environmental</b>							
Temperature Range	$T_a$	-40 °C to +85 °C					
Permissible Humidity	RH	5%...95%					
Terminal Screw Torque	$M_{max}$	3.0 Nm					
Conductor Cross Section (max)		35 mm <sup>2</sup> (solid) / 25 mm <sup>2</sup> (stranded)					
Mounting		35 mm DIN Rail, EN 60715					
Degree of Protection		IP 20					
Housing Material		Thermoplastic: Extinguishing Degree UL 94 V-0					
Thermal Protection		Yes					
Fault Indication		Red Flag					
Remote Contacts (RC)		Optional					
RC Switching Capacity		AC: 250V/0.5 A; 125V/3 A					
RC Terminal Cross Section (max)		1.5 mm <sup>2</sup>					
RC Terminal Screw Torque	$M_{max}$	0.25 Nm					
<b>Order Information</b>							
Order Code		75	150	275	320	385	440
PROTEC C 40/xxx (1+0)		50.A063	50.A064	50.A065	50.A045	50.A066	50.A067
PROTEC CR 40/xxx (1+0) (with remote contacts)		50.A068	50.A069	50.A070	50.A046	50.A071	50.A072
Module PROTEC C(R) 40/xxx		50.A073	50.A074	50.A075	50.A049	50.A076	50.A077

## ProTec C(R) 40 (1+0)

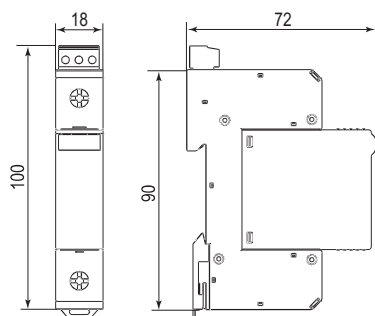
### Internal Configuration

#### Legend

- L Line
- N Neutral
- PE Protective Earth
- RC Remote Contacts Optional



### Dimensions & Packaging [mm]

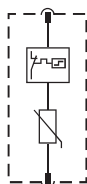


#### Dimensions & Packaging

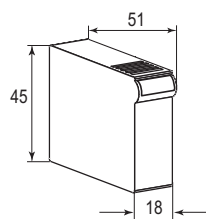
Dimensions & Packaging						
ProTec C 40/xxx (1+0)	75	150	275	320	385	440
Single Unit Weight	112g	122g	128g	128g	129g	130g
Single Unit DIN 43880 Dimension	1 TE					
Packaging Dimensions (H x W x L)	110 x 77 x 24 mm					
Minimum Order Quantity	12 Units					
Dimensions & Packaging						
ProTec CR 40/xxx (1+0)	75	150	275	320	385	440
Single Unit Weight	117g	127g	133g	133g	134g	135g
Single Unit DIN 43880 Dimension	1 TE					
Packaging Dimensions (H x W x L)	109 x 77 x 24 mm					
Minimum Order Quantity	12 Units					

### Module Internal Configuration

#### Module ProTec C(R) 40/xxx



### Dimensions & Packaging [mm]



#### Dimensions & Packaging

Dimensions & Packaging						
Module ProTec C(R) 40/xxx	75	150	275	320	385	440
Weight per Unit	44g	48g	52g	56g	58g	60g
Packaging Dimensions	98 x 77 x 110 mm					
Minimum Order Quantity	12 Units					

Applicable connection configurations can be found on page 178.