

Pluggable Single-Pole SPD
ProTube T1 50 0+1
 Class I • Class II • Type 1 • Type 2 • Type 1CA



Location of Use: Main Distribution Boards
 Network Systems: TT, TN-S
 Mode of Protection: N-PE
 Surge Ratings: $I_{imp} = 50 \text{ kA (10/350}\mu\text{s)}$
 $I_n = 50 \text{ kA (8/20}\mu\text{s)}$
 IEC/EN/UL Category: Class I+II / Type 1+2 / Type 1CA
 Protective Elements: GDT with Thermal Disconnecter
 Housing: Pluggable Design
 Compliance: IEC 61643-11:2011
 EN 61643-11:2012
 UL 1449 4th Edition

Technical Data

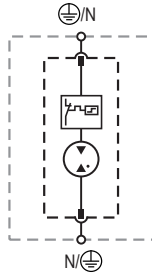
ProTube T1-xxx-0+1		50
IEC Electrical		
Nominal AC Voltage (50/60Hz)	U_o / U_n	0V
Maximum Continuous Operating Voltage	U_c	305V
Nominal Discharge Current (8/20 μs)	I_n	50kA
Maximum Discharge Current (8/20 μs)	I_{max}	100kA
Impulse Discharge Current (10/350 μs)	I_{imp}	50kA
Specific Energy	W/R	625 kJ/ Ω
Charge	Q	25 As
Voltage Protection Level	U_p	1500V
Follow Current Interrupt Rating	I_{fi}	100 A _{RMS}
Response Time	t_A	< 100 ns
TOV Withstand 200ms	U_T	1200V
Number of Ports		1
UL Electrical		
Maximum Continuous Operating Voltage (AC)	MCOV	305V
Voltage Protection Rating	VPR	1200V
Nominal Discharge Current (8/20 μs)	I_n	20kA
Mechanical & Environmental		
Operating Temperature Range	T_a	-40 °F to +185 °F [-40 °C to +85 °C]
Permissible Operating Humidity	RH	5%...95%
Altitude		13123 ft [4000m]
Terminal Screw Torque	M_{max}	39.9 lbf-in [4.5Nm]
Conductor Cross Section (max)		2 AWG (Solid, Stranded) / 4 AWG (Flexible) 35 mm ² (Solid, Stranded) / 25 mm ² (Flexible)
Mounting		35 mm DIN Rail, EN 60715
Degree of Protection		IP 20 (built-in)
Housing Material		Thermoplastic: Extinguishing Degree UL 94 V-0
Thermal Protection		Yes
Operating State / Fault Indication		Green Flag / Not Green Flag
Order Information		
Order Code		50
ProTube T1-xxx-0+1		59.0276
ProTube T1-50-P		59.0269

ProTube T1 50 0+1

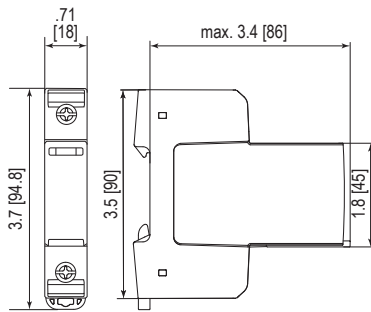
Internal Configuration

Legend

- L Line
- N Neutral
- ⊕ Protective Earth



Dimensions & Packaging

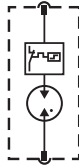


Dimensions & Packaging

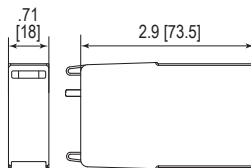
ProTube T1-xxx-0+1		50
Single Unit Weight	pounds [grams]	.390 [177]
Single Unit DIN 43880 Dimension		1 TE
Packaging Dimensions (HxWxL)		4.3 × 4.5 × 13.8" [109 × 115 × 352 mm]
Minimum Order Quantity		12 Units

Plug Internal Configuration

ProTube T1-50-P



Dimensions & Packaging



Dimensions & Packaging

ProTube T1-50-P		50
Single Unit Weight	pounds [grams]	.208 [94]
Single Unit DIN 43880 Dimension		1 TE
Packaging Dimensions (HxWxL)		4.3 × 4.5 × 13.8" [109 × 115 × 352 mm]
Minimum Order Quantity		28 Units

inches
[mm]

Information contained in this document is subject to change at any time without notice.

