

Single-pole PCB Mount SPD Socket for PV System
PCB Socket T2 PV(-R)
 Type 2 • Type 1CA

Location of Use: String box, Inverter
 Mode of Protection: (+)-PE, (-)-PE, (+)-(-)
 EN/UL Category: Type 2 / Type 1CA
 Housing: PCB Mount
 Compliance: EN 50539-11:2013+A1:2014
 IEC 61643-31:2018
 UL 1449 4th Edition



Technical Data

PCB Socket T2 PV(-R)

EN Electrical

Maximum Continuous Operating Voltage (PV)	U_{CPV}	up to 750V
Nominal Discharge Current (8/20 μ s)	I_n	up to 20kA
Maximum Discharge Current (8/20 μ s)	I_{max}	up to 40kA
Number of Ports		1

UL Electrical

Maximum Permitted DC Voltage	V_{pVdc}	up to 750V
Nominal Discharge Current (8/20 μ s)	I_n	up to 20kA

Mechanical & Environmental

Operating Temperature Range	T_a	-40 °F to +185 °F [-40 °C to +85 °C]
Permissible Operating Humidity	RH	5%...95%
Altitude (max)		13123 ft [4000m]
Mounting		Printed Circuit Board (PCB)
Degree Of Protection		IP 20 (built-in PCB, with protection module plugged in)
Housing Material		Thermoplastic: Extinguishing Degree UL 94 V-0
Remote Contacts (RC)		Optional
RC Switching Capacity		AC: 250V/1A, 125V/1A; DC: 48V/0.5A, 24V/0.5A, 12V/0.5A

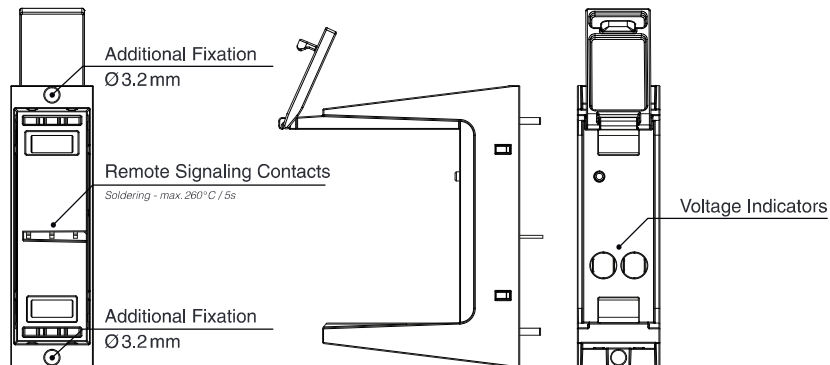
Order Information

Order Code	
PCB Socket T2-550PV	515 163
PCB Socket T2-750PV	515 164
PCB Socket T2-550PV-R	515 165
PCB Socket T2-750PV-R	515 166

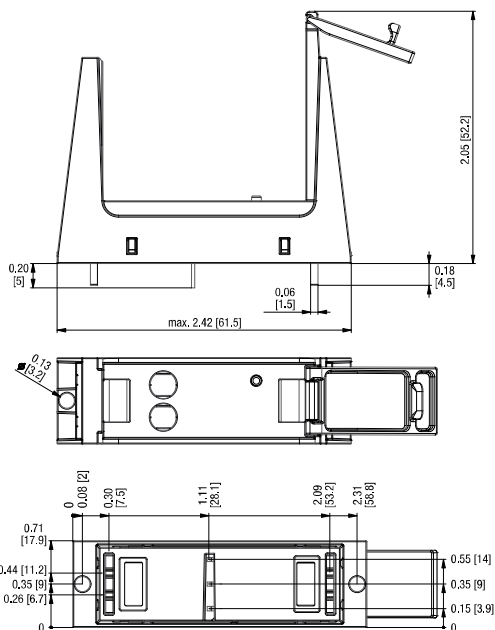
Product combinations with associated plugs can be found in the PCB Socket PV Products Combination Index on page 295.

PCB Socket T2 PV(-R)

Installation Configuration



Complete Unit



Single Unit Dimensions & Packaging

PCB Socket T2 PV

Weight	pounds	.044
	grams	20g

PCB Socket T2 PV-R

Weight	pounds	.046
	grams	21g

DIN 43880 Dimension	1 TE / .71" [18]
Packaging Dimensions (H x W x L)	14.8 x 2.5 x 2.6" [377 x 64 x 67 mm]
Standard Order Quantity	20 Units

inches
[mm]