

Single-pole PCB Mount SPD Socket for AC System

PCB Socket T2(-R)

Class II • Type 2



Location of Use: Indoor - to be firmly fixed to PCB
 Network Systems: TN, TT
 Mode of Protection: L-PE, N-PE, L-PEN
 IEC/EN Category: Class II, Type 2
 Housing: PCB Mount
 Compliance: IEC 61643-11:2011
 EN 61643-11:2012

Technical Data

PCB Socket T2(-R)

IEC Electrical

| | | |
|---|-------------|-------------|
| Nominal AC Voltage (50/60 Hz) | U_o / U_n | up to 600V |
| Maximum Continuous Operating Voltage (AC) | U_c | up to 880kV |
| Nominal Discharge Current (8/20 μ s) | I_n | up to 25kA |
| Maximum Discharge Current (8/20 μ s) | I_{max} | up to 65kA |
| Short-Circuit Current Rating | I_{SCCR} | up to 25kA |
| Number of Ports | | 1 |

Mechanical & Environmental

| | | |
|--------------------------------|-------|---|
| Operating Temperature Range | T_a | -40 °F to +185 °F [-40 °C to +85 °C] |
| Permissible Operating Humidity | RH | 5%...95% |
| Altitude (max) | | 13123 ft [4000m] |
| Mounting | | Printed Circuit Board (PCB) |
| Degree Of Protection | | IP 20 (built-in PCB, with protection module plugged in) |
| Housing Material | | Thermoplastic: Extinguishing Degree UL 94 V-0 |
| Remote Contacts (RC) | | Optional |
| RC Switching Capacity | | AC: 250V/1A, 125V/1A; DC: 48V/0.5A, 24V/0.5A, 12V/0.5A |

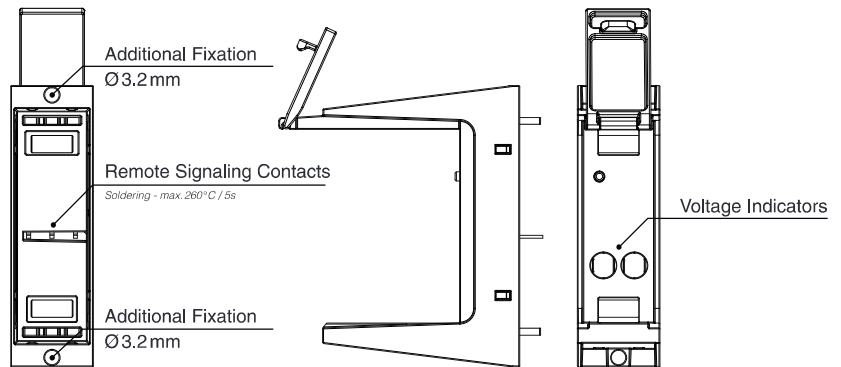
Order Information

| Without Remote Contact | | With Remote Contact | |
|------------------------|---------|-------------------------|---------|
| PCB Socket T2-75 | 515 183 | PCB Socket T2-75-R | 515 192 |
| PCB Socket T2-150 | 515 184 | PCB Socket T2-150-R | 515 193 |
| PCB Socket T2-300 | 515 185 | PCB Socket T2-300-R | 515 194 |
| PCB Socket T2-350 | 515 186 | PCB Socket T2-350-R | 515 195 |
| PCB Socket T2-480 | 515 187 | PCB Socket T2-480-R | 515 196 |
| PCB Socket T2-550 | 515 188 | PCB Socket T2-550-R | 515 197 |
| PCB Socket T2-750 | 515 189 | PCB Socket T2-750-R | 515 198 |
| PCB Socket T2-880 | 515 190 | PCB Socket T2-880-R | 515 199 |
| PCB Socket T2-NPE-305 | 515 191 | PCB Socket T2-NPE-305-R | 515 200 |

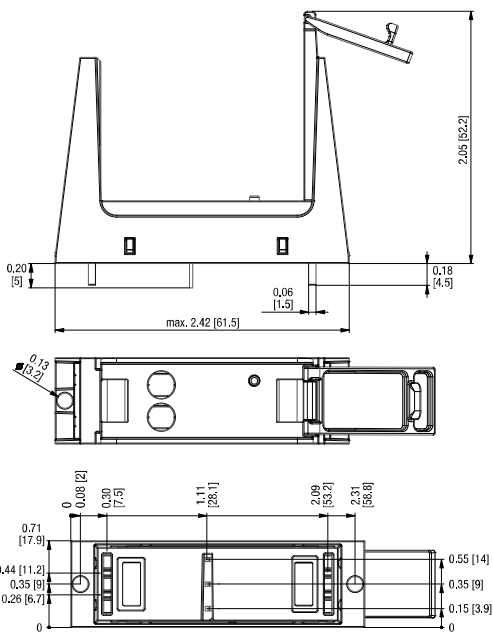
Product combinations with associated plugs can be found in the PCB Socket AC Products Combination Index on page 294.

PCB Socket T2(-R)

Installation Configuration



Complete Unit



Single Unit Dimensions & Packaging

PCB Socket T2

| | | |
|--------|--------|------|
| Weight | pounds | .044 |
| | grams | 20g |

PCB Socket T2-R

| | | |
|--------|--------|------|
| Weight | pounds | .046 |
| | grams | 21g |

| | |
|----------------------------------|--------------------------------------|
| DIN 43880 Dimension | 1 TE / .71" [18] |
| Packaging Dimensions (H x W x L) | 14.8 x 2.8 x 2.6" [37.5 x 7 x 6.5mm] |
| Standard Order Quantity | 1 Unit |

inches
[mm]