

SPD for Two Pair with Single Protection Mode

RayDat SLL-4 Series

C1 • C3



IEC/EN Category: C1/C3
 Mode of Protection: Transverse
 Voltages: 30V DC
 Frequency Range: 30MHz
 Surge Discharge Ratings: I_n : 250A
 Series Load Current: 10A
 Enclosure: DIN 43880 2/3TE, DIN Rail Mount
 Terminals: Stranded to 4 mm²
 Housing: Modular Design
 Compliance: IEC/EN 61643-21

The RayDAT SLL-4 has been developed to protect data transmission circuits or low voltage alarm circuits such as fire or security.

The unit provides fine protection using a high speed, bi-directional, silicon stage.

Where necessary, the RayDat SLL-4 may be used with a higher energy coarse protection unit such as the SUR-4-110 Series.

The plug-in module design facilitates replacement of a failure module without the need to remove system wiring.

If the module is unplugged out of the base, the connection lines remain enabled.

Technical Data

SLL-4 Series

30V

Electrical

Lines Protected		2 (4 Conductors)
Nominal Operating Voltage (DC)	U_n	30V
Maximum Continuous Operating Voltage (DC)	U_c	33V
Rated Load Current at 25°C	I_L	10A
C1 Nominal Discharge Current (8/20µs)	I_n	250A
Residual Voltage at 5kA (8/20µs)	(Line-Line) U_{res}	<80V
Rated Spark Overvoltage	(Line-Line)	280-420V
	(Line-Ground)	35-44V
Response Time Overvoltage Protection	(Line-Line) t_A	< 1 ns
	(Line-Ground)	< 1 ns
Insulation Resistance of the Protection	(Line-Line) R_{iso}	≥ 33MΩ
	(Line-Ground)	≥ 33MΩ
Serial Resistance per Path	R	0.1Ω
Transverse Capacitance	(Line-Line) C	50pF
	(Line-Line)	50pF
Cut-off Frequency	f_G	30MHz

Mechanical

Temperature Range	-40 °C to +80 °C
Terminal Cross Section Multi-strand	4 mm ² , 2.5 mm ² Q Version
Terminal Screw Torque	0.5Nm
Degree of Protection IEC/EN 60529	IP 20
Housing Material	Thermoplastic; Grey; Extinguishing Degree V-0
Mounting IEC/EN 60715	35 mm DIN Rail

Order Information

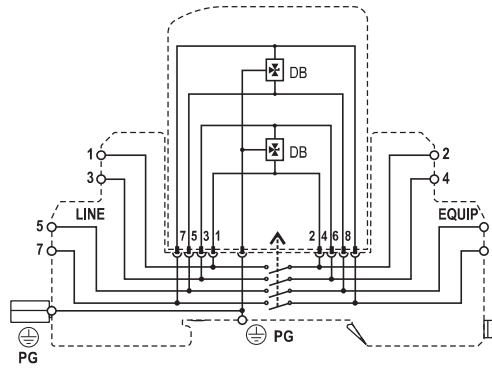
Order Code	30V
SLL-4-xx	7082,92
SLL-4-xxQ (Quick Connect Terminals)	7085,27
SLL-4-xxM (module)	7082,93

RayDat SLL-4 Series

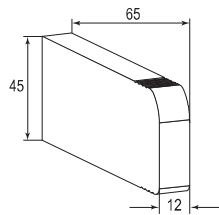
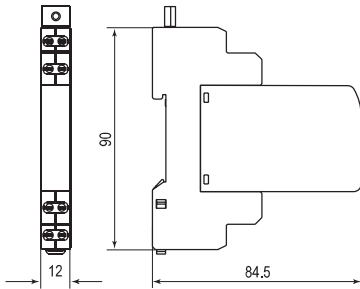
Internal Configuration

Legend

DB Diode Block
PG Protective Grounding



Dimensions & Packaging



SLL-4 Series

30V

Dimensions

Weight per Unit	56 g
Dimensions DIN 43880	2/3 TE
Packaging Dimensions (Single Unit)	87 × 15 × 102 mm
Minimum Package Quantity	15 pieces

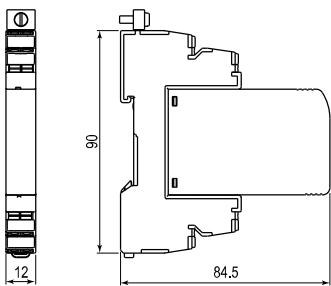
SLL-4-xxM Series

30V

Dimensions

Weight per Unit	22 g
Packaging Dimensions (Single Unit)	87 × 15 × 102 mm
Minimum Package Quantity	15 pieces

Quick Connect Terminals



SLL-4-xxQ Series

30V

Dimensions

Weight per Unit	58 g
Dimensions DIN 43880	2/3 TE
Packaging Dimensions (Single Unit)	87 × 15 × 102 mm
Minimum Package Quantity	15 pieces



Bases with Quick Connect Terminals enable faster installation and have built-in contacts to enhance vibration resistance.